



TECHNICAL DETAILS

-  **Manufacturer: Manitowoc**
-  **Model: Grove GMK 5130-2**
-  **Boom length: 12.9 - 60m**
-  **Boom angle: -3 ° to +83 °**
-  **Maximum hoist height: 95m**
-  **Counterweight: 40t**
-  **Year of Construction: 2008**
-  **Cabin tiltable up to 20°**
-  **Remote controller**

CAPACITY

-  **130 tons**

CONTACT

Please consult the Q3 Group operations department for more details:

Plaza 25C
4782 SL Moerdijk
T: +31 10 261 33 30
E: operations@q3-group.com

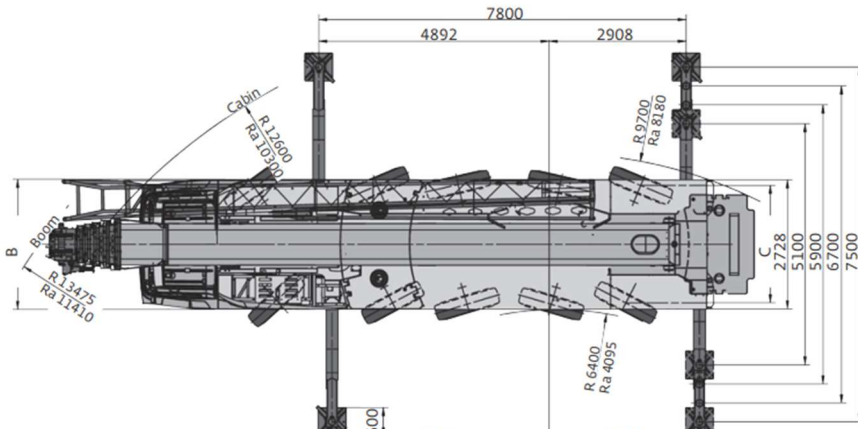


Figure 1, Top view GMK 5130-2

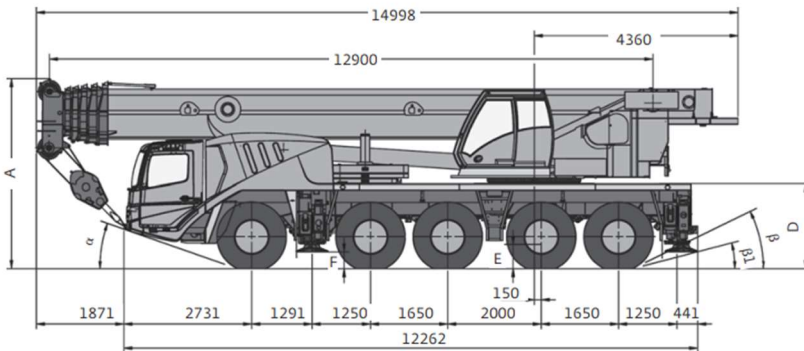


Figure 2, Side view GMK 5130-2



Figure 3, GMK 5130-2 and 6-axle SPMT in action

DIMENSIONS

The GMK 5130-2 is a compact mobile crane with a length of 15m and a width of 2.73m. Due to its small dimensions and weight it can operate quickly and precise. For example, booming up all the way from -3° to $+83^{\circ}$ only takes 45 seconds. Making it the perfect crane for getting things done.

CAPABILITY

The Q3 mobile crane is able to lift up to 130t in onshore and offshore conditions. With its 6 wheel drive and 10 wheel steering, the GMK 5130-2 is able to perform everywhere and anytime.

POWER

The superstructure is powered by a water cooled Mercedes-Benz OM904LA 4 cylinder diesel engine producing 129kW and 675Nm. It has a fuel capacity of 200 liters.

The chassis is powered by a water cooled Mercedes-Benz OM 502 LA 8 cylinder diesel engine producing 375kW and 2400Nm. It has a fuel capacity of 400 liters.

The transmission is a Mercedes-Benz G 240-16 with Electronic Pneumatic Shifting. 16 forward and 2 reverse speeds. Also equipped with differential locks.