



TECHNICAL DETAILS

-  **Manufacturer: Manitowoc**
-  **Model: Grove GMK 5150**
-  **Boom length: 12.8 - 60m**
-  **Boom angle: -1,5° to +83°**
-  **Maximum hoist height: 97m**
-  **Counterweight: 44,5t**
-  **Year of Construction: 2018**
-  **Cabin tiltable up to 20°**
-  **Remote controller**

CAPACITY

-  **150 tons**

CONTACT

Please consult the Q3 Group operations department for more details:

Plaza 25C
4782 SL Moerdijk
T: +31 10 261 33 30
E: operations@q3-group.com

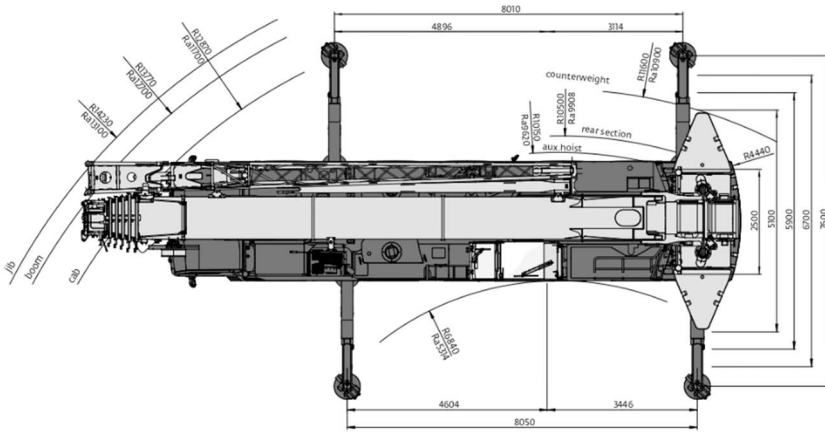


Figure 1, Top view GMK 5150

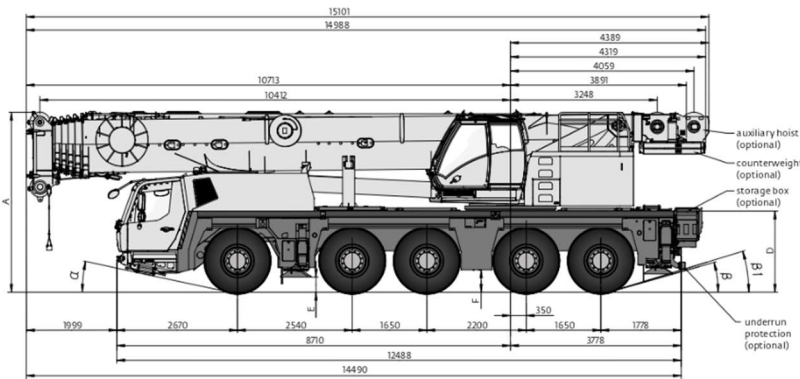


Figure 2, Side view GMK 5150



Figure 3, GMK 5150 in action

DIMENSIONS

The GMK 5150 is a compact mobile crane with a length of 15m and a width of 2.73m. Due to its small dimensions and weight it can operate quickly and precise. For example, booming up all the way from -1,5° to +83° only takes 48 seconds. Making it the perfect crane for getting things done.

CAPABILITY

The Q3 mobile crane is able to lift up to 150t in onshore and offshore conditions. With its 6 wheel drive and 10 wheel steering, the GMK 5150 is able to perform everywhere and anytime.

POWER

The chassis is powered by a water cooled Mercedes-Benz OM 471 LA 6 cylinder diesel engine producing 390kW and 2460Nm. It has a fuel capacity of 650 liters.

The transmission is a Mercedes-Benz G 280-16 with Electronic Pneumatic Shifting. 16 forward and 2 reverse speeds. Also equipped with differential locks.