

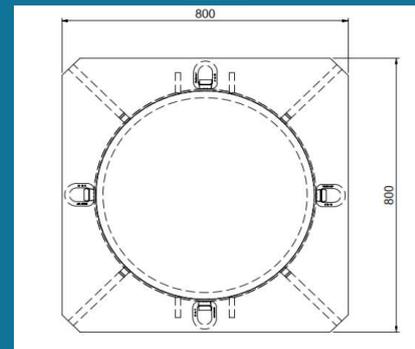
## TECHNICAL DETAILS

-  Width 800 mm
-  Height 650 mm
-  Weight 418 kg

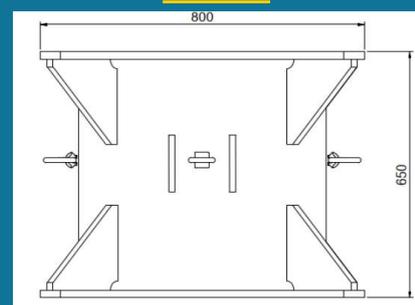
## CAPACITY

-  Load Case A – 350 tons
-  Load Case B – 200 tons
-  Load Case C – 150 tons
-  Load Case D – 75 tons

### TOP



### FRONT



Please consult the Q3 Group Engineering department for more details via +31 10 261 33 30 or [operations@q3-group.com](mailto:operations@q3-group.com)

Q3 Group – Plaza 25C, 4782 SL moerdijk – The Netherlands